





ROLLER CAMS & PUNCHING UNITS DOWNLOADS

**AZOL
GAS** 

3D  **STP** 



SERIES ACX - FCX - JCX- NXR - NXS - NXC - NXD

- High precision guiding allows off-centered forces
- Superior performance and longevity
- Wide variety of drivers
- Safety use by optional positive return
- Easy access to gas springs
- Separate head cam slider with lateral fitting

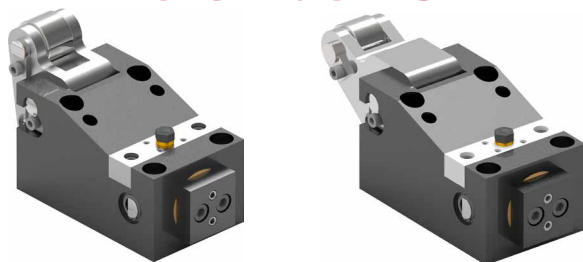
INDEX

ROLLER CAMS



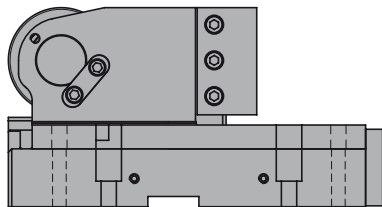
	FORCE (Tn)	03	05	07	15	16	20	Page
		STROKES						
01	ACX	50 80 100	50 80 100		50 80 100		50 80 100	III
02	FCX			50 80	50 80 100			IV
03	JCX			50 80	50 80 100	50 80 100		V
04	DRIVERS							VI

PUNCHING UNITS



	FORCE (Tn)	03	05	07	10	Page
		STROKES				
04	NXR	20	30	40	50	VII
05	NXS	20	30	40	50	VII
06	NXC	20	30	40	50	VIII
07	NXD	20	30	40	50	VIII
08	DRIVERS					IX

ACX

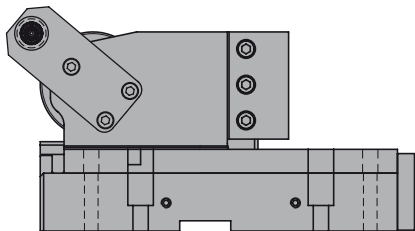


DRIVER DR.A.1	DRIVER DR.A.2
ACX 03 050	ACX 03 080
ACX 05 050	ACX 03 100
	ACX 05 080
	ACX 05 100



DRIVER DR.B.1	DRIVER DR.B.2
ACX 15 050	ACX 15 080
ACX 20 050	ACX 15 100
	ACX 20 080
	ACX 20 100

ACX	ACX 03	ACX 05	ACX 15	ACX 20
ACX __ 050	ACX 03 050	ACX 05 050	ACX 15 050	ACX 20 050
ACX __ 080	ACX 03 080	ACX 05 080	ACX 15 080	ACX 20 080
ACX __ 100	ACX 03 100	ACX 05 100	ACX 15 100	ACX 20 100



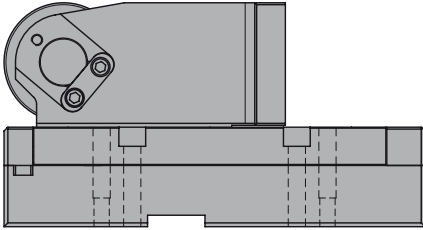
DRIVER DR.A.1	DRIVER DR.A.2
ACX 03 050	ACX 03 080
ACX 05 050	ACX 03 100
	ACX 05 080
	ACX 05 100



DRIVER DR.B.1	DRIVER DR.B.2
ACX 15 050	ACX 15 080
ACX 20 050	ACX 15 100
	ACX 20 080
	ACX 20 100

ACX + DRU	ACX 03	ACX 05	ACX 15	ACX 20
ACX __ 050 + DRU	ACX 03 050 + DRU	ACX 05 050 + DRU	ACX 15 050 + DRU	ACX 20 050 + DRU
ACX __ 080 + DRU	ACX 03 080 + DRU	ACX 05 080 + DRU	ACX 15 080 + DRU	ACX 20 080 + DRU
ACX __ 100 + DRU	ACX 03 100 + DRU	ACX 05 100 + DRU	ACX 15 100 + DRU	ACX 20 100 + DRU

Return positive	DRU.0	DRU.2	DRU.3	DRU.4
-----------------	-------	-------	-------	-------

FCX**AZOL
GAS** **DRIVER DR.A.1**

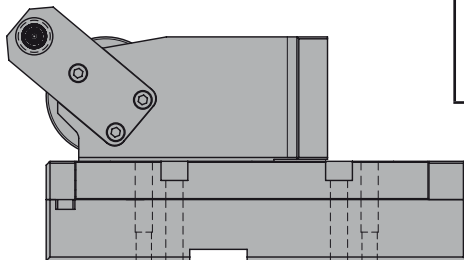
FCX 07 050
FCX 15 050

DRIVER DR.A.2

FCX 07 080
FCX 07 100
FCX 15 080
FCX 15 100

BACK 

FCX	FCX 07	FCX 15
FCX __ 050	FCX 07 050	FCX 15 050
FCX __ 080	FCX 07 080	FCX 15 080
FCX __ 100	---	FCX 15 100

**DRIVER DR.A.1**

FCX 07 050
FCX 15 050

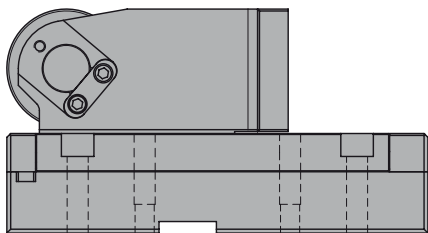
DRIVER DR.A.2

FCX 07 080
FCX 07 100
FCX 15 080
FCX 15 100

BACK 

FCX + DRU	FCX 07	FCX 15
ACX __ 050 + DRU	FCX 07 050 + DRU	FCX 15 050 + DRU
ACX __ 080 + DRU	FCX 07 080 + DRU	FCX 15 080 + DRU
ACX __ 100 + DRU	---	FCX 15 100 + DRU

Return positive	DRU.1	DRU.2
------------------------	--------------	--------------

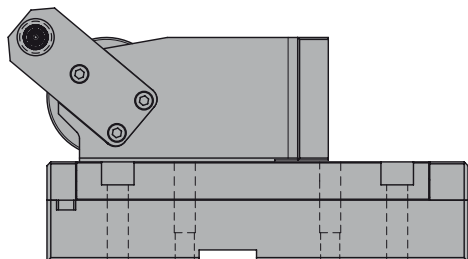


DRIVER DR.A.1	DRIVER DR.A.2
JCX 07 050	JCX 07 080
JCX 15 050	JCX 07 100
	JCX 15 080
	JCX 15 100

DRIVER DR.B.1	DRIVER DR.B.2
JCX 16 050	JCX 16 080
	JCX 16 100



JCX	JCX 07	JCX 15	JCX 16
JCX __ 050	JCX 07 050	JCX 15 050	JCX 16 050
JCX __ 080	JCX 07 080	JCX 15 080	JCX 16 080
JCX __ 100	---	JCX 15 100	JCX 16 100



DRIVER DR.A.1	DRIVER DR.A.2
JCX 07 050	JCX 07 080
JCX 15 050	JCX 07 100
	JCX 15 080
	JCX 15 100

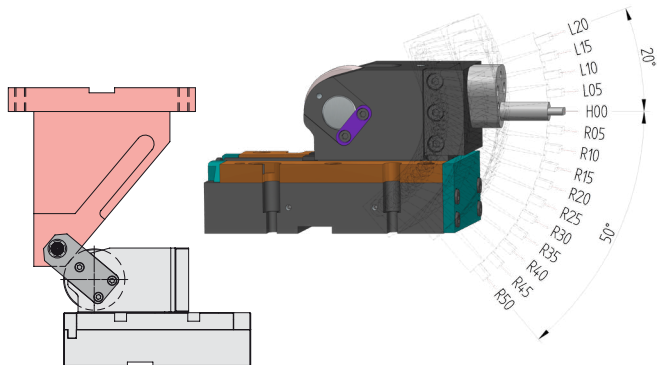
DRIVER DR.B.1	DRIVER DR.B.2
JCX 16 050	JCX 16 080
	JCX 16 100



JCX + DRU	JCX 07	JCX 15	JCX 16
JCX __ 050 + DRU	JCX 07 050 + DRU	JCX 15 050 + DRU	JCX 16 050 + DRU
JCX __ 080 + DRU	JCX 07 080 + DRU	JCX 15 080 + DRU	JCX 16 080 + DRU
JCX __ 100 + DRU	---	JCX 15 100 + DRU	JCX 16 100 + DRU

Return positive	DRU.1	DRU.2	DRU.3
-----------------	-------	-------	-------

DR - DRIVER



DR-A	DR-A-1 STROKE 50	DR-A-2 STROKE 80-100
L20	DR-A-1-L20	DR-A-2-L20
L15	DR-A-1-L15	DR-A-2-L15
L10	DR-A-1-L10	DR-A-2-L10
L05	DR-A-1-L05	DR-A-2-L05
H00	DR-A-1-H00	DR-A-2-H00
R05	DR-A-1-R05	DR-A-2-R05
R10	DR-A-1-R10	DR-A-2-R10
R15	DR-A-1-R15	DR-A-2-R15
R20	DR-A-1-R20	DR-A-2-R20
R25	DR-A-1-R25	DR-A-2-R25
R30	DR-A-1-R30	DR-A-2-R30
R35	DR-A-1-R35	DR-A-2-R35
R40	DR-A-1-R40	DR-A-2-R40
R45	DR-A-1-R45	DR-A-2-R45
R50	DR-A-1-R50	DR-A-2-R50

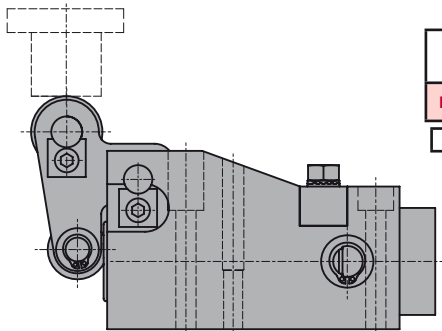
DR-B	DR-B-1 STROKE 50	DR-B-2 STROKE 80-100
L20	DR-B-1-L20	DR-B-2-L20
L15	DR-B-1-L15	DR-B-2-L15
L10	DR-B-1-L10	DR-B-2-L10
L05	DR-B-1-L05	DR-B-2-L05
H00	DR-B-1-H00	DR-B-2-H00
R05	DR-B-1-R05	DR-B-2-R05
R10	DR-B-1-R10	DR-B-2-R10
R15	DR-B-1-R15	DR-B-2-R15
R20	DR-B-1-R20	DR-B-2-R20
R25	DR-B-1-R25	DR-B-2-R25
R30	DR-B-1-R30	DR-B-2-R30
R35	DR-B-1-R35	DR-B-2-R35
R40	DR-B-1-R40	DR-B-2-R40
R45	DR-B-1-R45	DR-B-2-R45
R50	DR-B-1-R50	DR-B-2-R50

ROLLER CAMS	ACX 03 050 ACX 05 050 FCX 07 050 FCX 15 050 JCX 07 050 JCX 15 050	ACX 03 080 ACX 03 100 ACX 05 080 ACX 05 100 FCX 07 080 FCX 07 100 FCX 15 080 FCX 15 100 JCX 07 080 JCX 07 100 JCX 15 080 JCX 15 100

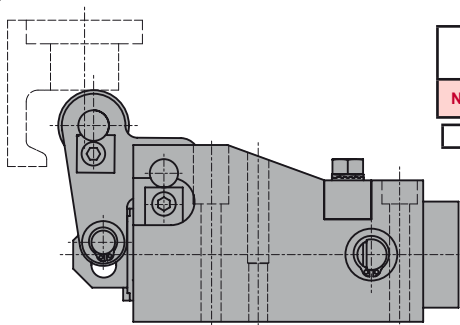
ROLLER CAMS	ACX 15 050 ACX 20 050 JCX 16 050	ACX 15 080 ACX 15 100 ACX 20 080 ACX 20 100 JCX 16 080 JCX 16 100



PUNCHING UNITS



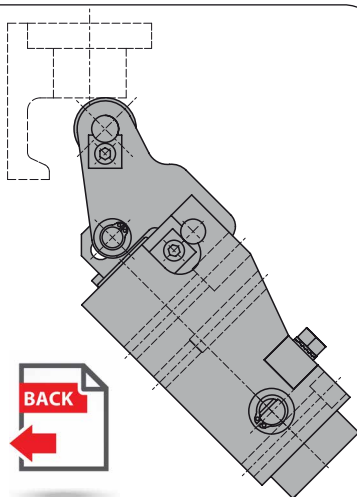
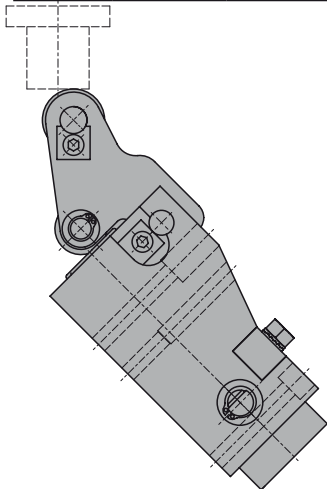
NXR	03 020	05 030	07 040	10 050
NXR ___	NXR 03 020	NXR 05 030	NXR 07 040	NXR 10 050
Driver	SA 03	SA 05	SA 07	SA 10



NXS	03 020	05 030	07 040	10 050
NXS ___	NXS 03 020	NXS 05 030	NXS 07 040	NXS 10 050
Driver	SAS 03	SAS 05	SAS 07	SAS 10

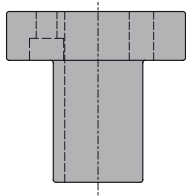


NXC	03 020	05 030	07 040	10 050
NXC ___	NXC 03 020	NXC 05 030	NXC 07 040	NXC 10 050
Driver	SA 03	SA 05	SA 07	SA 10

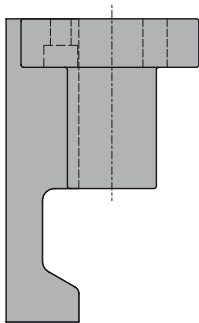


NXD	03 020	05 030	07 040	10 050
NXD ___	NXD 03 020	NXD 05 030	NXD 07 040	NXD 10 050
Driver	SAS 03	SAS 05	SAS 07	SAS 10

SA - SAS- DRIVERS



SA	03	05	07	10
SA __	<u>SA 03</u>	<u>SA 05</u>	<u>SA 07</u>	<u>SA 10</u>
PUNCHING UNITS	NXR 03 NXC 03	NXR 05 NXC 05	NXR 07 NXC 07	NXR 10 NXC 10

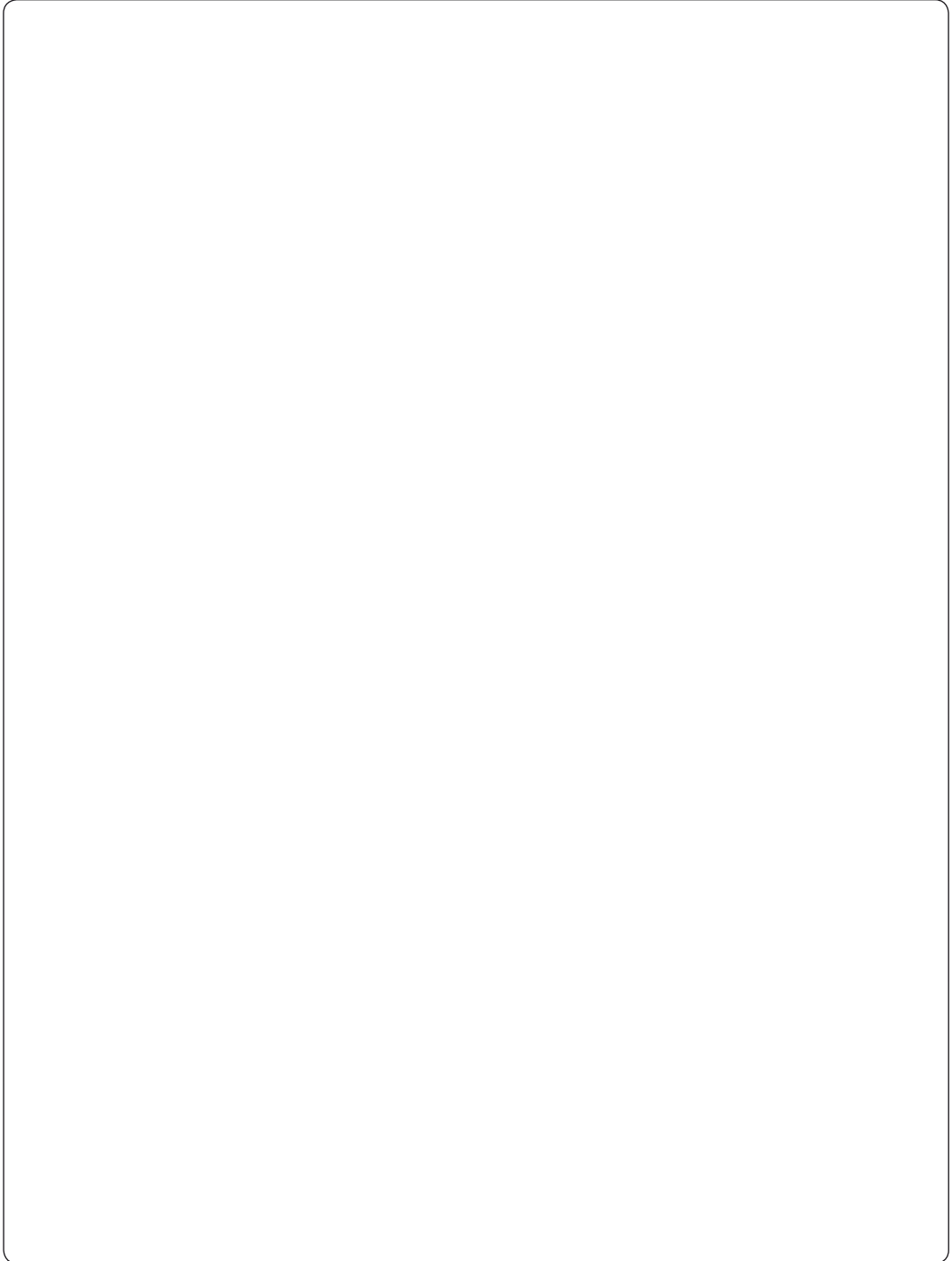


SAS	03	05	07	10
SAS __	<u>SAS 03</u>	<u>SAS 05</u>	<u>SAS 07</u>	<u>SAS 10</u>
PUNCHING UNITS	NXS 03 NXD 03	NXS 05 NXD 05	NXS 07 NXD 07	NXS 10 NXD 10





ROLLER CAMS AND PUNCHING UNITS



ROLLER CAMS AND PUNCHING UNITS

